



# d10

Tactical Racing Display

---

## WIRING GUIDE

© 2017 Racegeek Ltd.

All rights reserved. Except as expressly provided herein, no part of this manual may be reproduced, copied, transmitted, disseminated, downloaded or stored in any storage medium, for any purpose without the express prior written consent of Racegeek.

Racegeek hereby grants permission to download a single copy of this manual onto a hard drive or other electronic storage medium to be viewed and to print one copy of this manual or of any revision hereto, provided that such electronic or printed copy of this manual must contain the complete text of this copyright notice and provided further that any unauthorized commercial distribution of this manual or any revision hereto is strictly prohibited.

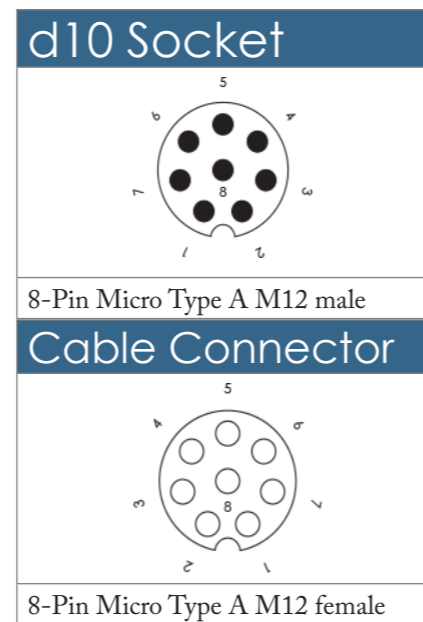
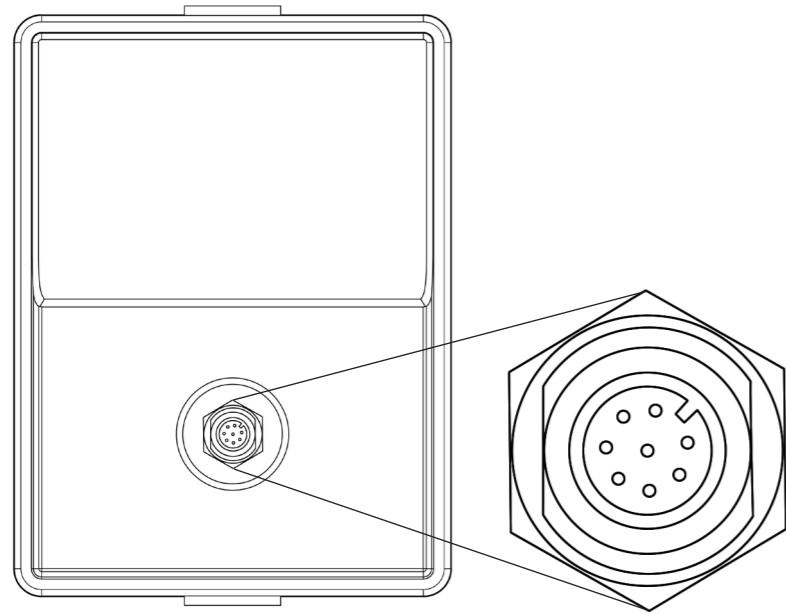
Information in this document is subject to change without notice. Racegeek reserves the right to change or improve its products and to make changes in the content without obligation to notify any person or organization of such changes or improvements. Visit the Racegeek Web site ([racegeek.ie](http://racegeek.ie)) for current updates and supplemental information concerning the use and operation of the d10 and other Racegeek products.

Racegeek®, the Racegeek Logo “Fred” are trademarks of Racegeek Ltd. and registered in the USA, UK, Europe and other countries. These trademarks may not be used without the express permission of Racegeek.

## Warning

See the “Safety and Product Information Manual” for this product at [racegeek.ie](http://racegeek.ie) for product warnings, safety statements, Declaration of Conformity and other important information.

Pin	Function	Field Cable
1	Analog Transducer - Ground	White
2	Analog Transducer - Signal	Brown
3	NMEA Listener B (4800 Baud)	Green
4	NMEA Listener A (4800 Baud)	Yellow
5	Ground	Grey
6	NMEA Listener (High Speed) B (38400 Baud)	Pink
7	NMEA Listener (High Speed) A (38400 Baud)	Blue
8	Power – 12V (4-36V) DC	Red



## Installation

Installation is an important part of the ownership and usage of your new d10. Please take the time to do a proper installation or have the d10 installed by a professional marine installer.

Quick Tips for a quality installation:

- Install the d10 within 10 ° of vertical
- Do NOT use crimped barrel connectors or any crimp style connector
- Connect and solder wires using the “Western Union” method  
See [racegeek.ie/support](http://racegeek.ie/support) for guides on proper soldering techniques
- Coat soldered joints with liquid vinyl
- Cover with appropriately sized shrink tubing cut so that it covers 10mm up each wire

## Maintenance

The d10 is totally sealed against water and is not serviceable. Any attempt to take the d10 apart will invalidate the warranty.

To clean, use only a damp soft cloth. No detergents, solvents or abrasives should be used.

To avoid damaging the d10, we recommend storing in the d10 soft pack.

## Warranty and Service

Racegeek, Ltd. or its authorised Distributors will repair or replace a d10 free of charge where a manufacturing fault becomes apparent within two years of the purchase date provided:

- No unauthorized attempt has been made to repair the product
- The product has not been misused, operated outside of its intended environment or operated in a manner which is incompatible with the written instructions supplied on purchase

Proof of purchase date is required for the warranty to be valid.

Authorised Racegeek Distributor details can be found on:

[racegeek.ie](http://racegeek.ie) or contact Racegeek, Ltd directly: [support@racegeek.ie](mailto:support@racegeek.ie)